



**BOSCH**

# Angle Grinder

GWS2200-230 | 3 601 HC1 0R0

---

## Table of Content

Spare parts list.....	2
Illustration - Type.....	4

## Spare parts list

Item	Part Number	Description	Illustration	Price	Quantity	Price Group
1	1 605 108 2MU	Motor Housing	1		1	27
2	1 619 P15 702	Field	1		1	34
5	3 607 030 489	Power supply cord	1		1	33
6	1 600 703 036	Grommet Ø10,5-Ø11,0X100 MM	1		1	12
7	1 601 302 018	Fastening Clamp	1		1	11
13	1 600 905 011	groove ball bearing 8X22X7	1		1	18
14	1 600 905 028	groove ball bearing	1		1	24
24	1 619 P15 272	Handle	1		1	24
28	1 600 210 033	O-Ring 79,0X1,78 MM	1		1	11
29	1 600 210 045	O-Ring 8,0X1,0 MM	1		1	11
30	1 600 591 077	Air Distributor	1		1	11
31	1 619 P17 066	Air-Deflector Ring	1		1	13
32	1 600 290 019	Retaining snap ring	1		1	11
33	1 600 290 013	Rotary shaft lip seal 18,7 MM RED	1		1	13
34	1 600 190 020	Shim 0,15 MM THICK	1		1	11
34	1 600 190 021	Shim 0,3 MM THICK	1		1	13
34	1 600 190 022	Shim 0,1 MM THICK	1		1	11
34	1 600 190 037	Shim 0,2 MM THICK	1		1	10
34	1 600 190 038	Shim 0,25 MM THICK	1		1	10
34	1 600 190 039	Shim 0,35 MM THICK	1		1	10
34	1 600 190 040	Shim 0,4 MM THICK	1		1	10
35	1 600 205 034	Felt Washer	1		1	11
37	1 618 B00 903	Seal Ring	1		1	12
38	1 600 206 020	Rubber Ring 7 MM WIDE	1		1	11
39	1 600 206 030	Rubber Ring	1		1	11
45	1 603 300 019	Hex Nut M10, SW14	1		1	11
51	2 600 910 001	Needle-Roller Bearing Ø14 MM	1		1	16
53	1 605 190 068	Socket Housing	1		1	10
60	1 603 435 023	Thread-forming tap. Screw TT M5X18 MM	1		3	12
61	2 912 401 038	Tapping Screw DIN 7981-4,8X38-C-Z-ST	1		4	10
62	1 603 435 060	Tapping Screw 4,8X55	1		2	11
63	1 603 410 014	Pan head screw M4X10 MM	1		2	11
64	1 603 435 042	Plastic-Cutting Screw ST3,9X12	1		4	11

## Spare parts list

Item	Part Number	Description	Illustration	Price	Quantity	Price Group
65	2 912 401 020	Tapping Screw DIN 7981-3,9X19-C-Z-ST	1		4	12
66	2 910 211 019	Tapping Screw DIN 7971-ST3,9X16-F	1		1	10
68	1 601 006 011	Sealing Plate	1		1	13
69	2 916 650 905	Spring retaining ring	1		1	10
803	1 619 P15 749	Armature	1		1	38
804	1 619 P14 968	Switch	1		1	26
808	1 601 11A 7TW	Nameplate	1		1	13
810	1 607 014 171	Carbon-Brush Set	1		1	26
816	1 604 336 048	Brush Holder	1		2	20
821	1 619 P15 750	Gear Housing	1		1	34
822	1 619 P15 751	Bearing Flange Ø180 MM	1		1	29
823	1 619 P15 945	Sealing cap	1		1	14
825	1 619 P15 297	Grinding Spindle	1		1	20
826	1 619 P15 405	Bevel Gear Set Ø180 MM	1		1	31
835	1 600 A00 J93	Fan	1		1	14
840	1 619 P15 752	Push-Button	1		1	15
846	1 607 000 342	Retaining Washer	1		1	15
882	1 619 P06 597	Stopper	1		1	16
651	1 619 P15 668	Protective Cover Ø230 MM	2		1	27
890	1 600 210 039	O-Ring 20,35X1,78 MM	2		1	12
891	1 602 025 0A1	Auxiliary Handle	2		1	26
891/1	1 602 025 09Z	Auxiliary Handle	2		1	27
892	1 607 950 061	Pin-Type Face-Wrench	2		1	16
893	2 605 703 014	Clamping Flange Ø22,3XØ42 MM	2		1	20
894	1 603 345 043	Round Nut M14	2		1	21
896	1 600 A01 6PP	Fast Locking Flange	2		1	36
897	1 605 430 003	Grease Tube 225 ML	2		1	34
898	1 615 430 020	Grease Tube 225 ML	2		1	29

Illustration - Type - E

3 601 HC1 080  
 Stand } 19-11  
 Issue } 19-12-03

Fig./Abb. 1

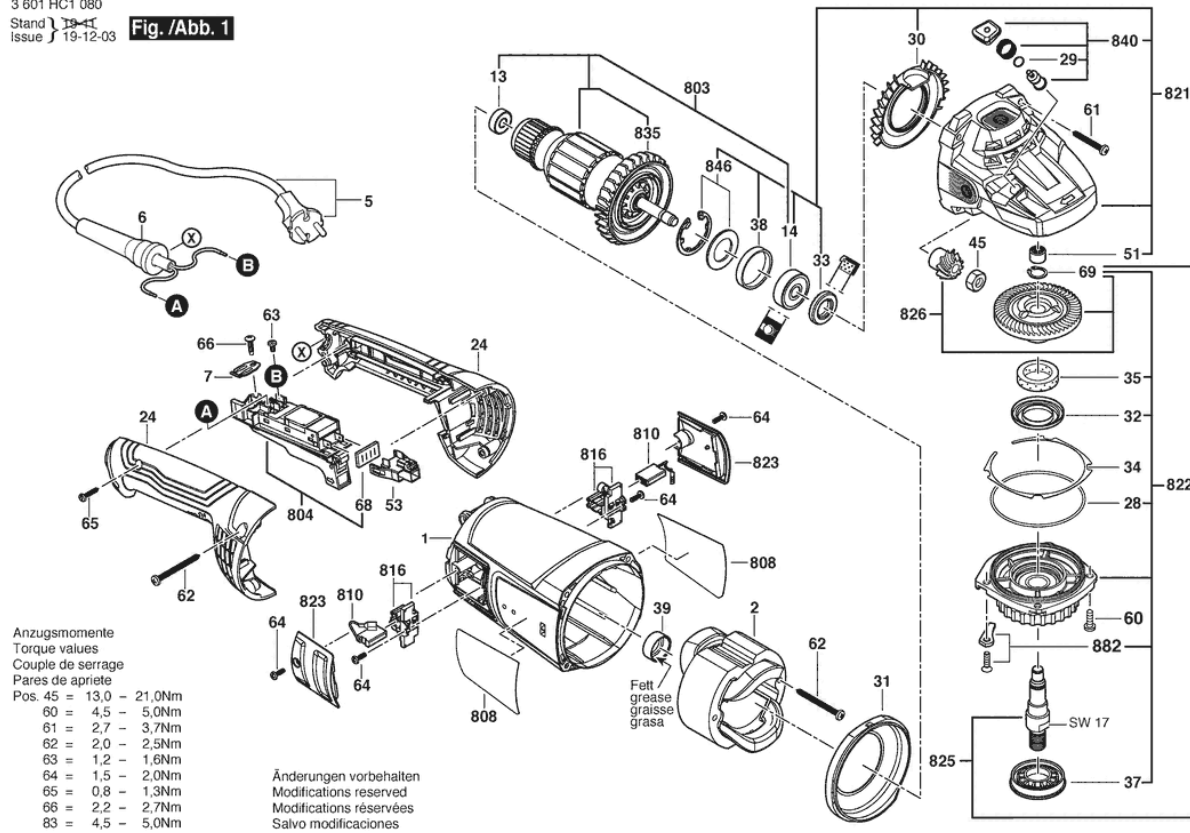
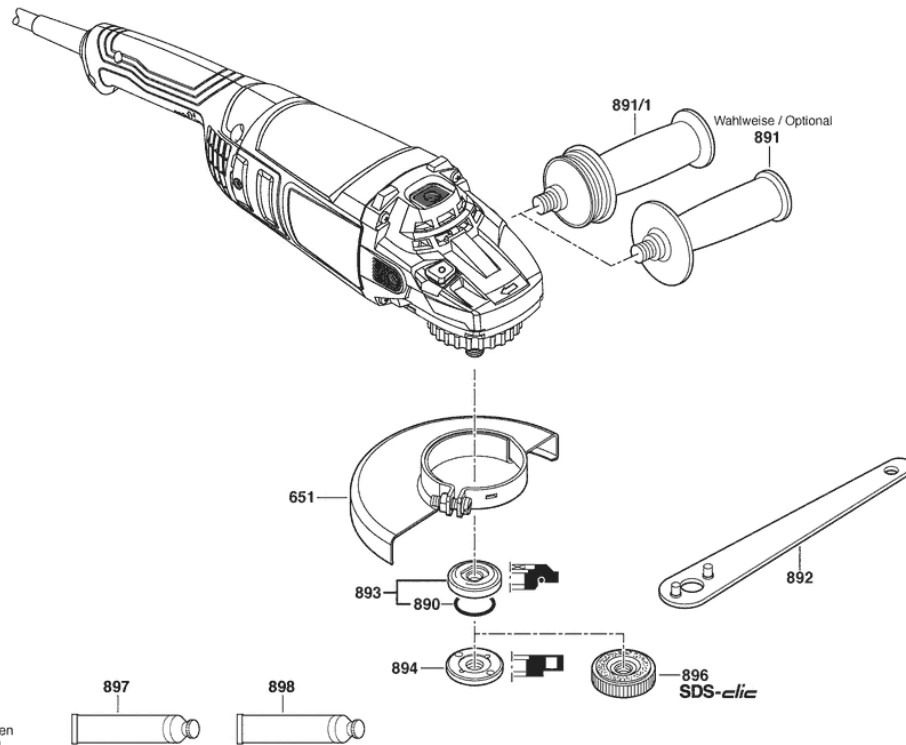


Illustration - Type - E

3 601 HC1 080  
Stand } 19-11-21  
Issue }

Fig./Abb. 2



Änderungen vorbehalten  
Modifications reserved  
Modifications réservées  
Salvo modificaciones